



SAVWINCH

EFFORTLESS ANCHORING

PRODUCT CATALOGUE

International Award Winning Drum Winches



CONTENTS

| | |
|---------------------------------|----|
| About Savwinch..... | 3 |
| Drum Anchor Winches | 4 |
| SSS Series..... | 6 |
| SS Series..... | 8 |
| CS Series | 10 |
| Commercial Series..... | 12 |
| Customised Solutions | 13 |
| Slider Anchors..... | 14 |
| Claw Slider Anchors..... | 15 |
| Fixed Shank Plough Anchors..... | 16 |
| Winch Kits..... | 17 |
| Bowsprits..... | 18 |
| Accessories..... | 19 |
| Capstan Winch | 20 |



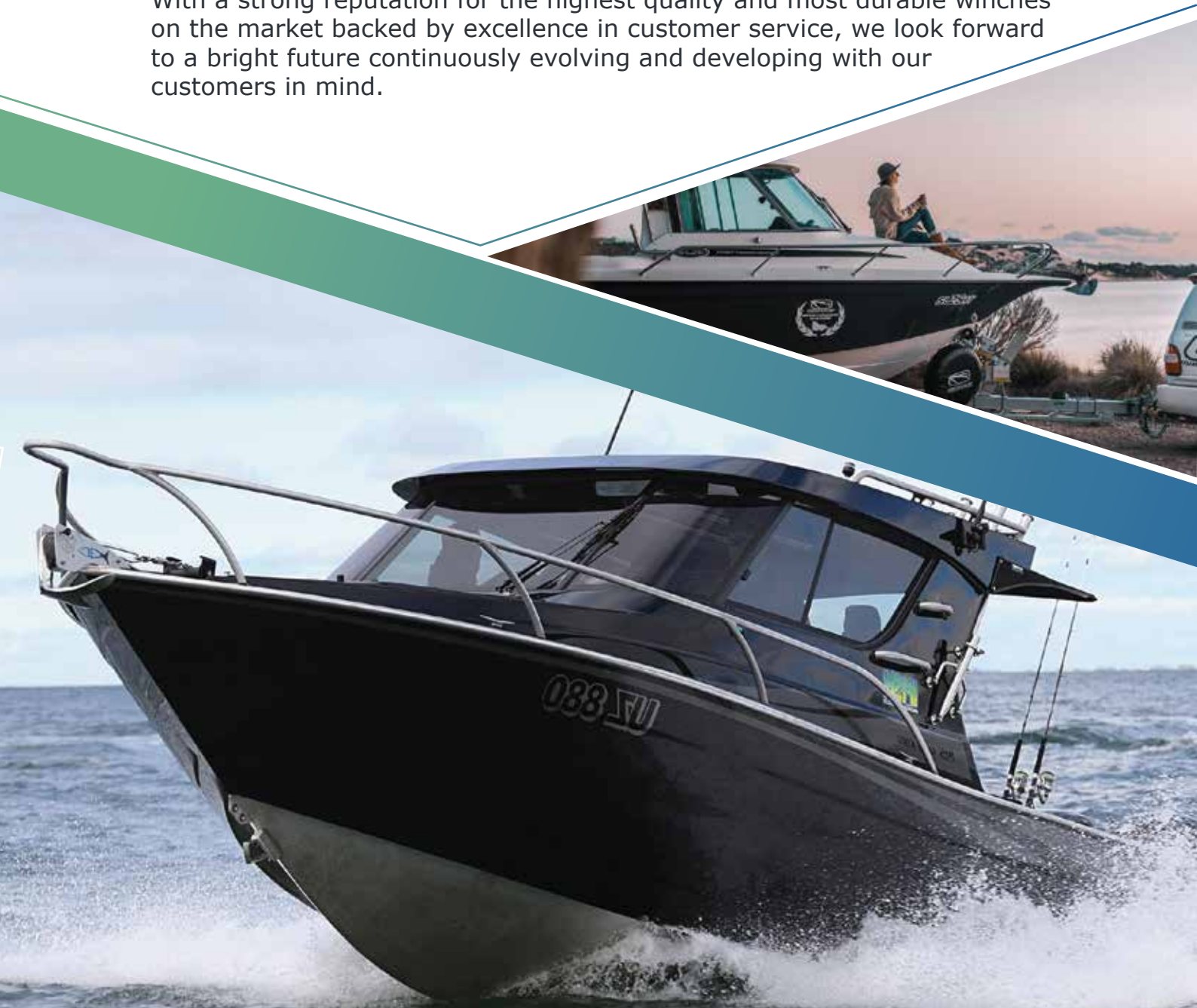
ABOUT SAVWINCH

Your one stop shop for all your Drum Anchor Winching needs

Once a small family business, Savwinch has grown into a global business which continuously adds and improves products with multiple winch ranges and accessories with unique and patented designs. We invest in research and development continuously which means that our customers are getting the latest and greatest in winching technology.

Thousands of winches have been installed and now many reputable boat builders and large boating retailers are fitting and distributing Savwinch throughout Australia and the world.

With a strong reputation for the highest quality and most durable winches on the market backed by excellence in customer service, we look forward to a bright future continuously evolving and developing with our customers in mind.



International Award Winning Drum Winches

Our international award winning Drum Winches feature oversized Worm Drive Gearboxes, specifically designed marine grade patented motors which are IP68 rated to suit even the harshest marine environments.

The motors can be moved into 12 different positions to ensure that each Drum Winch can be installed on almost any vessel. Paired with our EFF Electronic Fast Fall System our Drum Winches can reach speeds of over 100m per minute (almost as fast as you can drop your anchor).

All three of our drum winch range feature identical power and performance in their respective sizes. For example the 1000CS, 1000SS, and 1000SSS perform identically.



Injection Mould

To protect the IP68 rated motors we have taken our waterproofing one step further with an internal patented injection mould. This is a plastic mould which fills up all of the air pockets inside the motor, so not only are they dust and waterproof, they have no pockets internally so that no condensation can form.



Condensation is one of the main causes for motor failure in the marine industry. When condensation takes hold, the water in the motor can cause all sorts of problems including rust and corrosion. To further combat condensation our motors are a solid block casing with no covers.



Emergency Manual Release

All of our winch models starting from the 1000 models feature an emergency release. Using an allen key you can disengage the winch drum, this allows the winch to freely spin, meaning you can easily drop your anchor in an emergency. You are also able to install a hand crank and wind the winch up in the case of battery failure. This feature can be life saving if you're in extreme waters or lose power.



Electronic Fast Fall System

The world's first Electronic Fast Fall System increases the speed of the motor on the way down, almost as fast as you can freely drop your anchor.

Released in 2011, this award winning and patented design is mechanical clutch free. Other winch brands go up just as fast as they go down, this draws more current which could lead to overloads, battery drainage, winch failure and may result in damage to the bow of your boat.



Stainless Steel Series (SSS)

DELUXE RANGE



The Stainless Steel Series (SSS) is our top of the line Drum Winch and is the world's first and only complete 316 Stainless Steel Winch. Machined to fine tolerances and utilising O ring seals, the SSS range motors are completely submersible without the use of sealants or glues. Water ingress or corrosion is no longer a concern. This is the Rolls Royce of drum winches.

Features of SSS series

The Stainless Steel Series is the Rolls Royce of Drum Winches, the best Winch we can possibly offer you. It features a 316 stainless steel motor, a 316 stainless steel gearbox, and a 316 stainless steel drum. As with all of our Winches, the Signature Series is IP68 rated and features a patented injection mould which fills all of the air pockets inside the motor. The motor is a solid block Stainless Steel motor (no covers/sleeves over the motor) which combined with the injection mould ensures no moisture or condensation can get inside the motor.



STAINLESS STEEL MOTOR

Complete 316 Stainless Steel Motor



STAINLESS STEEL GEARBOX

Complete 316 Stainless Steel Gearbox



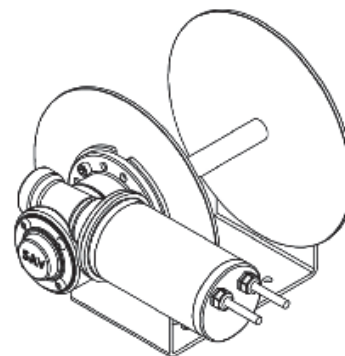
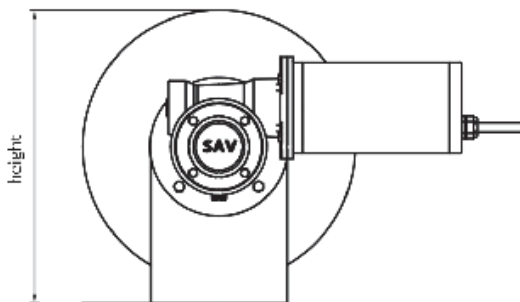
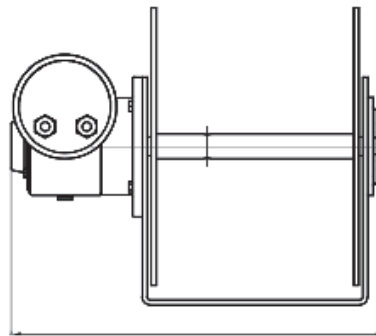
STAINLESS STEEL DRUM

Complete 316 Stainless Steel Drum

SSS MODEL SIZES

It's easy to determine which Drum Winch is required for your boat, the model of the Drum Winch is determined by the size of your boat.
The Stainless Steel Series suits all boats up to 30m.

| SKU | Model | Width | Height | Max Boat Size | Included Rope Kit |
|-------|-------|-------|--------|---------------|--------------------------------------|
| 6003 | 450 | 315mm | 190mm | 4.5m | 45m of 6mm Double Braid + 5m Chain |
| 6004 | 880 | 315mm | 210mm | 5.5m | 65m of 6mm Double Braid + 6m Chain |
| 6008M | 1000M | 344mm | 210mm | 7m | 65m of 6mm Double Braid + 6m Chain |
| 6008 | 1000 | 377mm | 250mm | 7m | 95m of 7mm Double Braid + 7m Chain |
| 6012 | 1500 | 377mm | 300mm | 8m | 95m of 8mm Double Braid + 8m Chain |
| 6016 | 2000 | 419mm | 306mm | 10m | 140m of 8mm Double Braid + 10m Chain |
| 6018 | 3000 | 500mm | 331mm | 20m | Custom |
| 6019 | 4000 | 515mm | 416mm | 30m | Custom |



Signature Series (SS)

PREMIUM RANGE



The Signature Series (SS) is our mid-range Drum Winch and features a complete stainless steel motor, designed locally and exclusively for Savwinch. Machined to fine tolerances and utilising O ring seals, the SS series motors are completely submersible without the use of sealants or glues. Water ingress or corrosion is no longer a concern.

Features of SS Series

The Signature Series is our most popular Series, it features a 316 Stainless Steel Motor, a Double Marine Grade Powder Coated Aluminium Gearbox, and a 316 Stainless Steel Drum. As with all of our Winches, the Signature Series is IP68 rated and features a patented injection mould which fills all of the air pockets inside the motor. The motor is a solid block Stainless Steel motor (no covers/sleeves over the motor) which combined with the injection mould ensures no moisture or condensation can get inside the motor. The SS range also feature a gasket between the SS motor and Aluminium gearbox, this eliminates the chance of electrolysis and corrosion forming.



STAINLESS STEEL MOTOR

Complete 316 Stainless Steel Motor



ALLOY GEARBOX

Double Marine Grade Powder Coated Aluminium Gearbox



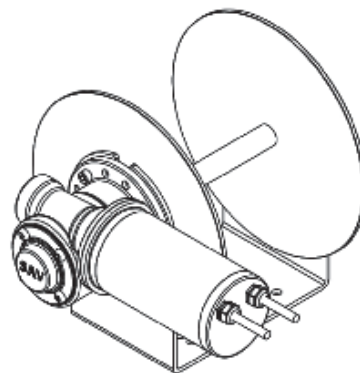
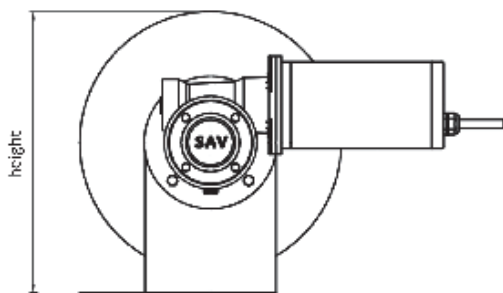
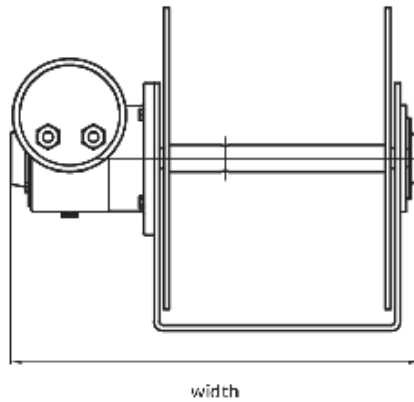
STAINLESS STEEL DRUM

Complete 316 Stainless Steel Drum

SS MODEL SIZES

It's easy to determine which Drum Winch is required for your boat, the model of the Drum Winch is determined by the size of your boat.
 The Signature Steel Series suits all boats up to 30m.

| SKU | Model | Width | Height | Max Boat Size | Included Rope Kit |
|-------|-------|-------|--------|---------------|--------------------------------------|
| 5003 | 450 | 315mm | 190mm | 4.5m | 45m of 6mm Double Braid + 5m Chain |
| 5004 | 880 | 315mm | 210mm | 5.5m | 65m of 6mm Double Braid + 6m Chain |
| 5008M | 1000M | 344mm | 210mm | 7m | 65m of 6mm Double Braid + 6m Chain |
| 5008 | 1000 | 377mm | 250mm | 7m | 95m of 7mm Double Braid + 7m Chain |
| 5012 | 1500 | 377mm | 300mm | 8m | 95m of 8mm Double Braid + 8m Chain |
| 5016 | 2000 | 419mm | 306mm | 10m | 140m of 8mm Double Braid + 10m Chain |
| 9012 | 6000 | 833mm | 618mm | 30m | Custom |



Classic Series (CS)

STANDARD RANGE



The Classic Series (CS) is the industry standard level of Drum Winch and has been tested and proven for over a decade. Machined to fine tolerances and utilising O ring seals, the CS series motors are completely submersible without the use of sealants or glues. You no longer need to be concerned about water ingress or corrosion.

Features of CS Series

The Classic Series is the industry standard level range, it features a double marine grade powder coated steel motor, double marine grade powder coated aluminium gearbox, and a 316 stainless steel drum. As with all of our Winches, the classic series is IP68 rated and features a patented injection mould which fills all of the air pockets inside the motor. The motor is a solid block steel motor (no covers/sleeves over the motor) which combined with the injection mould ensures no moisture or condensation can get inside the motor.



POWDER COATED STEEL MOTOR

Double Marine Grade
Powder Coated Steel Motor



ALLOY GEARBOX

Double Marine Grade Powder
Coated Aluminium Gearbox



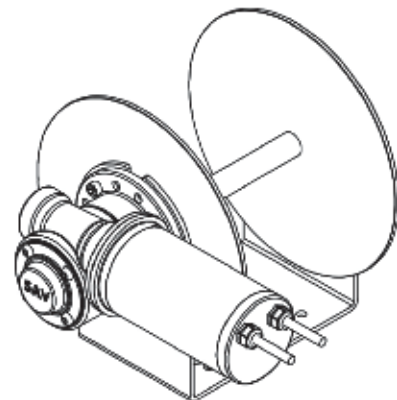
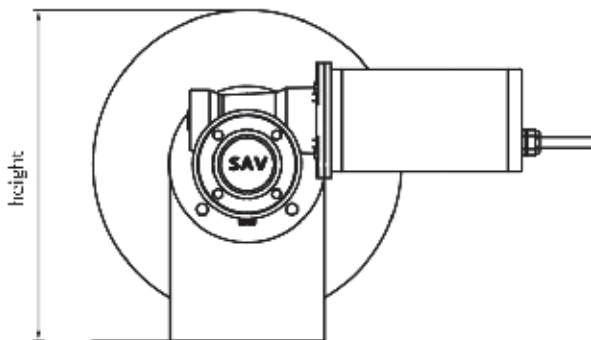
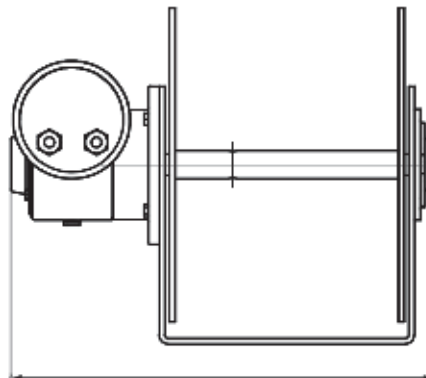
STAINLESS STEEL DRUM

Complete 316 Stainless Steel Drum

CS MODEL SIZES

It's easy to determine which Drum Winch is required for your boat, the model of the Drum Winch is determined by the size of your boat.
The Classic Series suits all boats up to 8m.

| SKU | Model | Width | Height | Max Boat Size | Included Rope Kit |
|-------|-------|-------|--------|---------------|------------------------------------|
| 4003 | 450 | 316mm | 190mm | 4.5m | 45m of 6mm Double Braid + 5m Chain |
| 4004 | 880 | 315mm | 210mm | 5.5m | 65m of 6mm Double Braid + 6m Chain |
| 4008M | 1000M | 344mm | 210mm | 7m | 65m of 6mm Double Braid + 6m Chain |
| 4008 | 1000 | 377mm | 250mm | 7m | 95m of 7mm Double Braid + 7m Chain |
| 4012 | 1500 | 377mm | 350mm | 8m | 95m of 8mm Double Braid + 8m Chain |



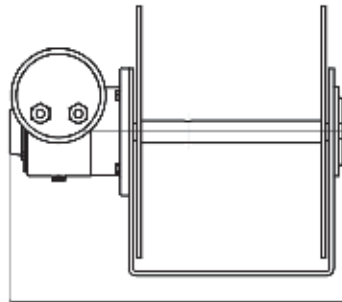
Commercial Series



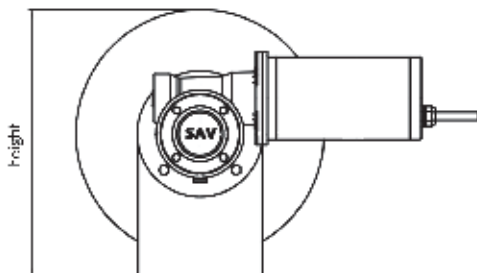
The Commercial Series is our only range of Drum Winches to feature a true free fall system. While our smaller Winches can utilise our EFF Electronic Fast Fall System, the Commercial drum winches can freely drop the anchor, getting you to your mark as fast as the anchor can drop.

Our Commercial range of drum winches feature both a clutch and friction plate which releases from the drum and allows the drum to free spin/fall. This is proven to be the most simple and reliable commercial grade free fall system on the market.

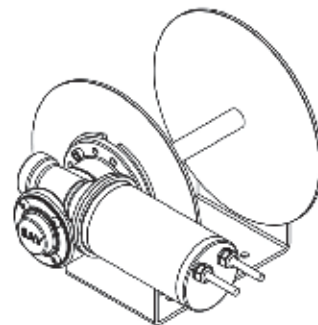
| SKU | Model | Width | Height | Max Boat Size | Included Rope Kit |
|------|-------|-------|--------|---------------|-------------------|
| 9005 | XL | 550mm | 415mm | 30m | Custom |
| 9006 | XXL | 625mm | 465mm | 30m | Custom |



width



height





Custom Winches

As well as our standard Drum Anchor Winch ranges, we offer custom made Engineering Solutions for any industry and any winching or lifting applications. No job is too big or too difficult, we can custom make a winch to suit any application.

We have supplied winching solutions for the mining industry, Army, Navy and many other industries.

Examples of products we have developed include commercial pot haulers, mining probes, and Winches for Government and research companies.

Replacement Motors

Our Drum Winches feature oversized Worm Drive gearboxes, specifically designed marine grade patented motors and are IP68 rated to suit even the harshest environment. The motors can be moved into 12 different positions to ensure that each Drum Winch can be installed on almost any vessel.

Upgrading an older model is easy with our replacement motors. Simply slide the old gearbox off the drum shaft and slide the new one on. No matter how old your Savwinch is you are able to upgrade to our latest and top of the range winch. Additionally we can provide DC motors and gearboxes to suit almost any application.



SSS Motor & Gearbox



SS Motor & Gearbox



CS Motor & Gearbox



Slider Anchors

Slider anchors (also known as escape anchors) feature a full sliding ring along the shaft. The advantage of the full sliding action is that it is designed to allow you to drive over the top of your anchor, slide your chain over the shaft and pull your anchor out when caught. Our slider anchors are a unique design involving years of research and development to bring you a quality product with ultimate holding power, almost guaranteed retrieval and are combined with a sleek design.

Featuring the unique Plough Style design you've known to love, giving you the great holding power of a traditional anchor with the added benefit of a Sliding ring. Available in both stainless steel and galvanised finish.



| SKU | | Weight | Boat Size | Height | Length |
|------------|-----------|--------|-----------|--------|--------|
| Galvanised | Stainless | | | | |
| 7066 | 7067 | 4kg | Up to 5m | 225mm | 512mm |
| 7062 | 7064 | 6kg | Up to 6m | 274mm | 592mm |
| 7063 | 7065 | 7.5kg | Up to 7m | 302mm | 615mm |
| 7077 | 7078 | 9kg | Up to 11m | 340mm | 692mm |
| 7095 | 7094 | 16kg | Up to 14m | 344mm | 780mm |
| 7096 | 7097 | 20kg | Up to 16m | 362mm | 841mm |

Add our Slider Anchor Lock Pin (SKU 7069) to ensure the Slider Anchor fits any Bowsprit



Claw Slider Anchors

Our slider anchors are also available in a claw style design giving you the great holding power of a traditional claw anchor with the added benefit of the sliding ring.



| SKU | | Weight | Boat Size | Height | Length |
|------------|-----------|--------|-----------|--------|--------|
| Galvanised | Stainless | | | | |
| 7105 | 7106 | 5kg | Up to 5m | 175mm | 470mm |
| 7079 | 7080 | 7.5kg | Up to 8m | 200mm | 540mm |
| 7081 | 7082 | 10kg | Up to 12m | 220mm | 594mm |
| 7115 | 7116 | 15kg | Up to 14m | 249mm | 668mm |
| 7120 | 7121 | 20kg | Up to 18m | 288mm | 749mm |

Add our Slider Anchor Lock Pin (SKU 7069) to ensure the Slider Anchor fits any Bowsprit



Fixed Shank Plough Anchors

The Plough Style design and ballasted tip ensures that the anchor will self launch with ease and set immediately thanks to its self-righting geometry. Available in both stainless steel and galvanised finish.



| SKU | | Weight | Boat Size | Height | Length |
|------------|-----------|--------|-----------|--------|--------|
| Galvanised | Stainless | | | | |
| 7048 | 7054 | 10kg | Up to 12m | 293mm | 679mm |
| 7083 | 7076 | 16kg | Up to 14m | 344mm | 801mm |
| 7084 | 7091 | 20kg | Up to 16m | 362mm | 841mm |
| 7085 | 7092 | 30kg | Up to 19m | 425mm | 960mm |
| 7086 | 7093 | 40kg | Up to 20m | 475mm | 1077mm |
| 7090 | N/A | 60kg | Up to 27m | 532mm | 1214mm |

Winch Accessories Kit

All winches up to the 2000 model come in a kit (also known as a package) with most of the accessories that you need to fully install a Savwinch on your boat. The standard winch accessory kit includes:

- Savwinch Drum Winch
- Up/Down Switch
- Solenoid
- Circuit Breaker
- Rope & Chain Kit
- Guide Roller
- Backing Plate & Bolts
- Anchor Swivel



These standard accessories are all that is required to install your winch. Additional accessories are also available.

Photos of different included accessories - Backing Plate & Bolts, Guide Roller, Up/Down Switch, Circuit Breaker, Anchor Swivel, Solenoid, Rope and Chain Kit



Savwinch Drum Winch



Backing Plate & Bolts



Guide Roller



Up/Down Switch



Circuit Breaker



Anchor Swivel



Solenoid



Rope and Chain

Bowsprits

We stock an extensive range of bowsprits/bow rollers to suit almost any boat. The Classic Bowsprit is our standard bowsprit range. It comes in three different sizes: thin, small and large. The Classic Small Bowsprit is suitable for boats up to 8 meters and Classic Large Bowsprit is suitable for boats over 8 meters. The Classic Thin Bowsprit features a small 60mm mounting width designed to fit small aluminum boats with a thin opening on the bow.

The Swivel Arm Bowsprit is a self deploying bowsprit which automatically drops the anchor as soon as the winch is released. This is available in small and large.



SS 316 Stainless Steel
Classic Thin Bowsprit



SS 316 Stainless Steel
Classic Small Bowsprit



Alloy Classic Small Bowsprit



SS 316 Stainless Steel
Classic Large Bowsprit



SS 316 Stainless Steel
Swivel Arm Bowsprit - Small



SS 316 Stainless Steel Swivel
Arm Bowsprit - Large



SS 316 Signature
Small Bowsprit



| SKU | Bowsprit | Width | Length | Boat Size |
|-------|---------------------|-------|--------|-----------|
| 7023 | Signature Small | 78mm | 430mm | Up to 8m |
| 7030 | Classic Thin | 60mm | 429mm | Up to 8m |
| 7031 | Classic Small | 75mm | 429mm | Up to 8m |
| 7031A | Classic Small Alloy | 75mm | 429mm | Up to 8m |
| 7032 | Classic Large | 87mm | 540mm | Up to 12m |
| 7026 | Swivel Arm Small | 78mm | 417mm | Up to 8m |
| 7025 | Swivel Arm Large | 78mm | 597mm | Up to 12m |

Add our Bowsprit Hardware (SKU 7027) to easily install your Bowsprit on any boat

Hawse Pipes

For boats that do not feature open access to the anchor well, you can use a Hawse Pipe to install your drum winch under the deck. We have two models of Hawse Pipes, one with a small opening and one with a large wide opening. Made from 316 stainless steel, featuring a specially designed angle to ensure there is minimal friction and little to no load on the Hawse Pipe.



Hawse Pipe - Small



Hawse Pipe - Large

Optional Winch Accessories

In addition to the standard winch accessories that are included in the Winch Accessories Kit, we stock accessories to compliment all of our Drum Winches including Hawse Pipes and Guide Rollers. We also stock a range of perishable components should you require replacement parts or are looking to upgrade including Rope and Chain Kits, Wiring Loom Kits and Switch Gear.



Dyneema Rope and Chain



Wiring Loom Kit



Chain Guard/Sock



Stainless Steel Chain



Wireless Remote

Sunglasses

Savwinch branded fishing Sunglasses featuring a black frame with black or brown lenses. Our sunglasses come in a Savwinch branded box with a carry bag, cleaning cloth, and certification tag. Featuring UV protection and polarised lenses. These sunglasses comply with the Australian and New Zealand standards for sunglasses, AS/NZS 1067:2003.



SAVWINCH 900PH POT HAULER

The Powerful 900W Capstan Winch



The Savwinch 900PH Pot Hauler is a powerful 900W Capstan Winch designed to withstand even the harshest environments with its 316 Stainless Steel head. Easy to install vertically under the deck, the 900PH is the ultimate Capstan Winch with silent and smooth operation.

- Marine Grade Sealed Motor
 - Low Noise
 - Fast Retrieval
- Max Power Pull of 185kg
- Unique Robust Design
- Compact Design - 164mm H, 140mm W (Motor 77mm W)
 - Includes Footswitch & Marine Grade Circuit Breaker

CONTACT US

+61 3 8361 8841
info@savwinch.com
www.savwinch.com.au
4-5/72-74 Lambeck Drive
Tullamarine, Victoria, 3043, Australia