

Savwinch Tips

Operating Instructions

To start the motor:

- Activate the motor using the controls and switches
- Observe the motor for any abnormal noises or vibrations
 - Ensure the motor starts and operates smoothly

To stop the motor:

- Use the designated controls and switches to initiate the motor stop functions
- Verify that the motor comes to a complete stop before leaving the operating area
 - Motor will only stop with the release of the switch

Warranty

The warranty agreement you enter into when you make a Savwinch winch purchase is subject to the following conditions and limitations:

1. The warranty period comes into effect as of the date of invoice generation/written agreement is made.
2. Savwinch manufactured products are warranted to be free from defects in materials and workmanship.
3. If your Savwinch product is suspected of being defective in materials or workmanship you must cease using it and contact Savwinch to report the fault within 7 days of noticing the defect.
4. The warranty will include either repair or replacement of the faulty part/s, material or workmanship.
5. The purchaser is responsible for any charges associated with removal, returning the faulty goods to Savwinch for warranty claim and reinstallation.
6. Any damage sustained to any vessel, property, equipment or persons due to the installation or use of a Savwinch product, as far as is permitted by consumer law, is excluded from this warranty.

This warranty shall be limited or null and void if any of the following occur:

1. The improper installation of a product, including not adhering to the installation guidelines contained within this manual
2. The improper and irregular maintenance, repair or service of your Savwinch product
3. The improper use or incorrect application of your Savwinch product, including excessive force

1500TT-CS - 2 Year Warranty

1500TT-SS - 3 Year Warranty

880TT-CS - 1 Year Warranty

Electronics - 1 Year Warranty

+61 3 8361 8841

info@savwinch.com

www.savwinch.com.au

4/72-74 Lambeck Drive

Tullamarine, Victoria, 3043, Australia

SAVWINCH

TRUCK TARP



Installation and User Manual for Savwinch Truck Tarp Kit

Upgrade to our Sav-EB-TT Box!



Thank you for your recent Savwinch purchase. Savwinch prides itself on producing industry leading innovative products, and having excellent customer service. We endeavour to meet and exceed our customers' needs in relation to the use of their Savwinch products and any service or warranty issues should they arise. Our wish is that you get many years of effective and enjoyable use of your Savwinch and that your experience with Savwinch is a positive one. Welcome to the Savwinch family!

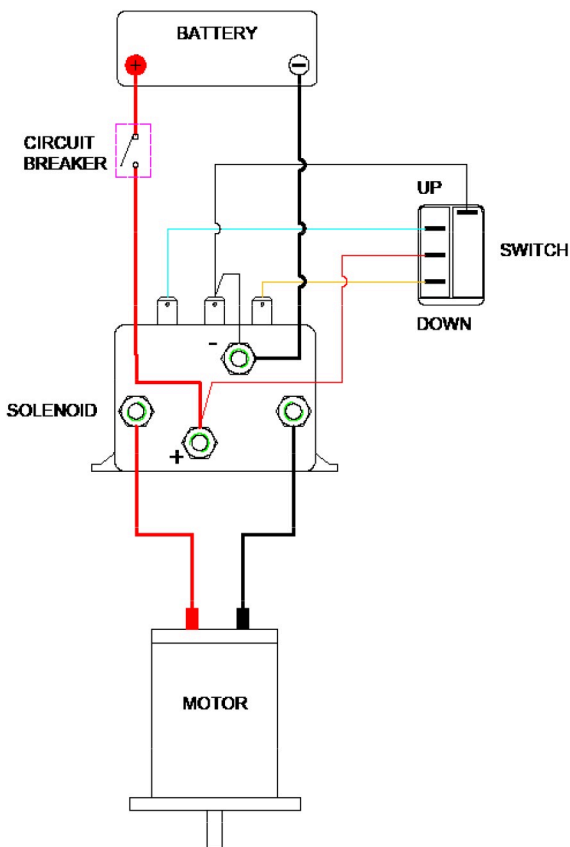
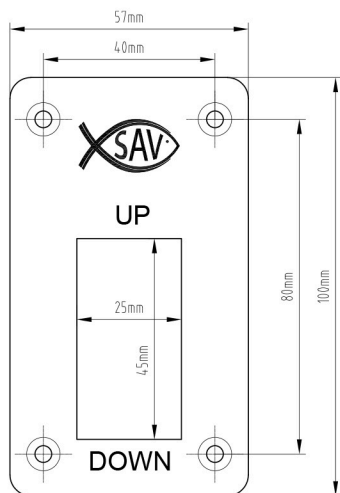
Standard Savwinch Installation

Minimum recommended wire for a Savwinch Truck Tarp Motor, to begin from motor to battery.

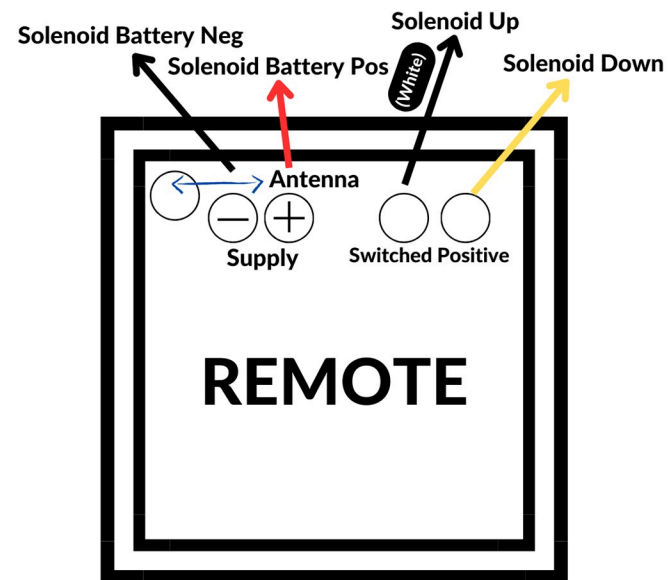
1500TT - 4 B&S (20mm²)
880TT - 6 B&S (13.5mm²)

Installation Tips

1. Both exposed wires from Savwinch Motor must be connected via joiners/solder and then heat shrink, to eliminate any corrosion or water entering the wires when attaching power cables to other attachments.
2. The Pulley must be lined up with a bracket while being centred with the cable/v-belt in order to ensure the pulley system doesn't dislodge.
3. Ensure the circuit breaker is wired between the isolator/battery and solenoid.
4. Regularly spray the switch gear terminals, motor/gearbox with Lanolin.
5. Regularly check all fittings and tarp winch for any loose parts.
6. Ensure the circuit breaker is wired as close to the battery as possible.
7. Wireless Remote receiver box, must be secured and away from Outdoor environment. (This may void warranty.)



Wiring Diagram for Wireless Remote



Must read before operating Savwinch Truck Tarp Winch